

Operation Manual Fruit Crusher

ARTICLE 61903



Read and follow the operating instructions and safety information before using for the first time.

Technical changes reserved!

Due to further developments, illustrations, functioning steps and technical data can differ insignificantly.

Updating the documentation

If you have suggestions for improvement or have found any irregularities please contact us.

The information contained in this document is subject to change without prior notice. No part of this document can be copied or duplicated in another form without the prior written consent of WilTec Wildanger Technik GmbH. The WilTec Wildanger Technik GmbH assumes no liability for any errors in this user manual or the connection diagram.

Although WilTec Wildanger Technik GmbH has made every effort to make sure that this user manual is complete, accurate and updated, errors cannot always be avoided. In the event of problems with this user manual please complete and send this form back to us.

FAX-notification (+++49 2403 55592-15),

from: _____

Name: _____

Firm: _____

Tel/Fax: _____

I would like to report the following mistakes:

Customer Service WilTec Wildanger Technik GmbH

e-mail: service@WilTec.info

Tel:++ +49 2403 55592-0

Introduction

Thank you for purchasing this quality product. **To minimize the risk of injury by means of fire or electric shock we urge that our clients take some basic safety precautions when using this device. Please read the operation instructions carefully and make sure you have understood its content.**

Always use a grounded power connection with the appropriate mains voltage. You can find the corresponding mains voltage on the type plate. If you have any doubts about the connection being grounded, have it checked by a qualified professional. Never use a faulty electric cable.

Do not inspect the electrical part of the pressure pond filter in a wet or damp environment or when you are wet yourself and protect it from direct sunlight. Install this device in a safe location so that nobody can step on the cable, fall over or damage it. Disconnect the power plug before cleaning it and use only a damp cloth for cleaning. Avoid using cleaning agents and make sure that no liquid enters the electrical part of the pump.

The electric part of the device contains no parts that can be inspected or serviced by the user. Leave the maintenance, adjustment and repair to qualified technical personnel. In case of unauthorised intervention the 2-year warranty is no longer valid! Keep these operation instructions safe.

INTRODUCTION

Please read this instruction leaflet thoroughly and follow instructions carefully, in doing so you will ensure safety of yourself and that of others around you. This will also ensure that the garden shredder will give you long and satisfactory service. Please keep these instructions in a safe place for future reference.



Read the instructions carefully. Be familiar with the controls and the proper use of the fruit crusher.



Read the user's manual before using the machine.



Full-face protection must be worn.



Ear protection and eye protection must be worn.



Safety gloves must be worn.



ALWAYS keep people at a safe distance from the work area, especially whilst operating the machine. Children should not be allowed in the work area.



Keep bystanders away from the working area.



NEVER use power tools in damp or wet locations or expose them to rain.



Switch off: Remove plug from the mains before adjusting, cleaning or if cable is entangled. Also switch off when the shredder is going to be unattended.



NEVER put your hands into hopper near the rotating blades.



SAFETY RULES

- Never allow children or people unfamiliar with these instructions to use the fruit crusher.
- Local regulations may restrict the age of the operator.
- Do not operate this fruit crusher in the vicinity of bystanders. The operator or user is responsible for accidents or hazards occurring to other people or their property.
- Do not allow hands or any other part of the body or clothing inside the feeding chamber, discharge chute or near any moving part.
- Obtain and wear safety glasses at all times while operating the fruit crusher.
- Avoid wearing loose-fitting clothing or jewelry. They might be caught by moving parts and cause serious injury.
- Operate the fruit crusher only on a firm and level surface.
- Before starting the fruit crusher check that all screws, nuts, bolts and other fasteners are properly secured as same as screens are all in place. Replace damaged or unreadable warning and operating labels.
- Before starting the fruit crusher, make certain that the feeding chamber is empty.
- Keep your face and body away from the feed opening.
- Do not overreach. Keep proper balance and footing at all times. Never stand at a higher level than the base of the fruit crusher when feeding material into it.
- Always stand clear of the discharge area when operating the fruit crusher.
- When feeding material into the fruit crusher be extremely careful that pieces of metal, rocks, bottles, cans or other foreign objects are not included.
- Remove the plug from the socket:
 - o Whenever you leave or transport the fruit crusher,
 - o Before clearing a blockage,
 - o Before checking, cleaning or working on the fruit crusher,
 - o After striking a foreign object, Inspect the fruit crusher for damage and make repairs if necessary,
 - o If the fruit crusher starts to vibrate abnormally or makes any unusual noise (check immediately)



If the cutting mechanism strikes any foreign objects or if the fruit crusher should start making unusual noise or vibration,

- Inspect for damage,
- Replace or repair any damaged parts,
- Check for and tighten any loose parts.

Do not attempt to repair the fruit crusher unless you are competent to do so. Do not allow processed material to build up in the discharge area; this may prevent proper discharge and can result in kick-back of material through the feed opening.

ELECTRIC SAFETY

Connect the mains lead to a standard 230 V (50 Hz) electrical supply via 13 amp BS 1363 plug fitted with a 13 amp fuse.

The severed plug must be disposed of to avoid a possible shock hazard and should never be inserted into a 13A socket elsewhere.

Your fruit crusher is double insulated for safety and requires no earth connection. The operating voltage is 230 v, 50 Hz.

Extension cable:

The type of cable used must be 2 core double insulated with a cross section of 3x 1.0 mm². In case of uncertainty please consult an electrician or your local dealer.

OPERATION

With the machine standing on firm level ground, standing on a board if necessary, plug the machine into the mains supply, via a residual current device (RCD).

Place a collecting container such as barrel or box below the outlet port to collect crushed fruit. Then start the machine by pressing the ON/OFF rocker switch shown below, to ON. When the machine is running at full speed, proceed to feed material into the hopper. DO NOT force it!

IMPORTANT:

- Please start machine **FIRSTLY**, and feed fruit **after** machine starts running. It is very **IMPORTANT!** The cutter blades will pull the material into the machine.
- **NEVER** push material into the hopper with your hands.
- The material must be of a size to easily enter the holes in the hopper.

Should the machine become clogged and stop delivering chippings, switch it OFF immediately and disconnect the plug from the mains supply.

Using industrial quality gloves any material in the chute needs to be removed. Take great care to avoid contact with the cutter blades and use a stick where necessary.

Ensure the cover is properly secured before plugging it to the mains supply or restarting the machine again.

CLEANING AND MAINTENANCE

Maintenance is limited to ensuring the machine is clean and free of corrosion by the malic acid found in juice.

CLEANING



- 1) Remove the bolts (2) from the main body (1).

- 2) Discharge the main body (1) and clean it.



- 3) Remove the rotating plate fixing the cutter plate. Then take the cutter plate (10) from the base plate (15) and clean it.

Please watch out cleaning the cutting blades which can cause injuries due to their sharpness. ALWAYS ensure that the machine is switched OFF and disconnected from the mains supply before carrying out any cleaning or maintenance operations.

REASSEMBLY

Reassemble the fruit crusher in reverse order.

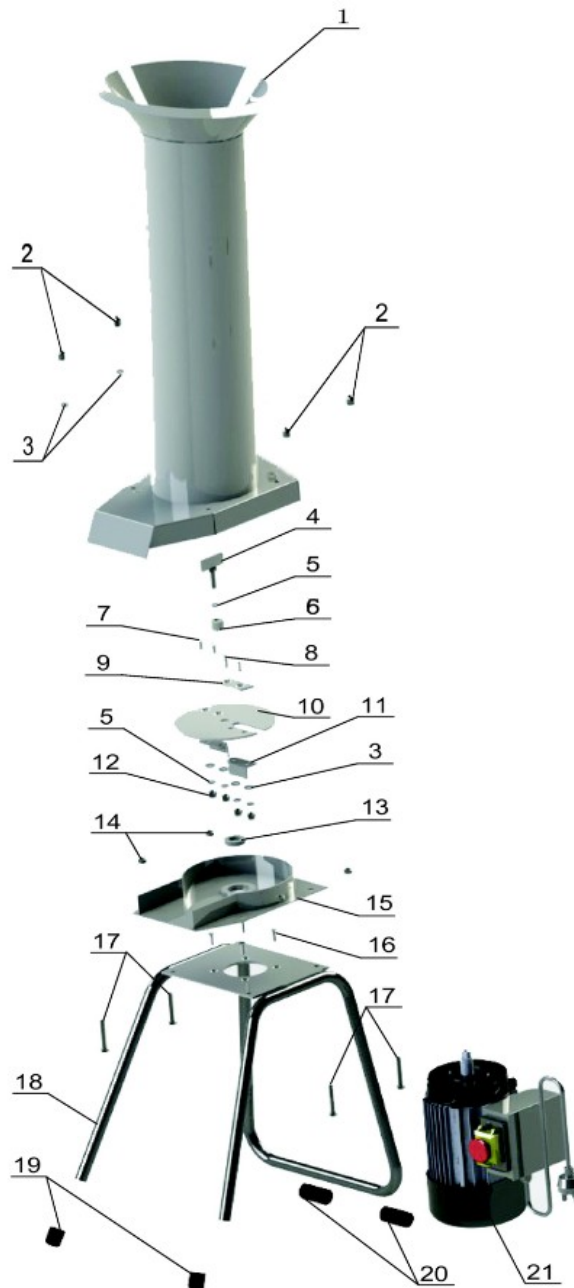
MAINTENANCE

Dry the machine after cleaning to prevent it from rusting. Lightly edible antirust oil should be put on all surfaces to prevent rusting if the machine has to be stored for longer periods of time.

SPECIFICATIONS

Engine	230 V, 50 Hz	Crushing Capacity	600 kg apples (approx.) per hour
Power	1.100 W	Net Weight	FS15LA: 25 kg, FS15LB: 27 kg
Rotation Speed	2.800 rpm	Gross Weight	FS15LA: 28 kg, FS15LB: 30 kg
IP rate	IP 44	Dimensions	1290 x 450 x 380 mm

EXPLOSION DRAWING



PARTS LIST

N	Description	Qty
1	Main Body	1
2	M8 Cap Nut	4
3	8mm Flat Washer	8
4	Rotated Plate	1
5	8mm Spring Washer	5
6	Pressing Bush of Cutter Plate	1
7	Inner Hex Bolt M8x16	2
8	Inner Hex Bolt M8x20	2
9	Blade	1
10	Knife Plate	1
11	Damper	2
12	Looseproof Nut M8	4
13	Oil Seal	1
14	Nut M8	4
15	Base Plate	1
16	Screw M6x20	4
17	Outside Hex Bolt M8x50	4
18	Stand	1
19	Front Foot Cover	2
20	Back Foot Cover	2
21	Motor	1

Disposal regulations

EU guidelines regarding the disposal of scrap electric appliances (WEEE, 2012/19/EU) were implemented in the law related to electrical and electronic equipment and appliances.

All WilTec electric devices that fall under the WEEE regulations are labelled with the crossed-out wheeled waste bin logo. This logo indicates that this electric equipment must not be disposed with the domestic waste.

The company WilTec Technik GmbH has been registered in the German registry EAR under the WEEE-registration number DE45283704.

Disposal of used electrical and electronic appliances (intended for use in the countries of the European Union and other European countries with a separate collection system for these appliances).

The logo on the article or on its packaging points out that this article must not be treated as normal household waste but must be disposed to a recycling collection point for electronic and electrical waste equipment. By contributing to the correct disposal of this article you protect the environment and the health of your fellow men. Environment and health are threatened by inappropriate disposal.



Materials' recycling helps reduce the consumption of raw materials.

Additional information on recycling this article can be provided by your local community, municipal waste disposal facilities or the store where you purchased the article.

Address:
WilTec Wildanger Technik GmbH
Königsbenden 12 / 28
D-52249 Eschweiler

Important notice:

The reprint or reproduction, even of excerpts, and any commercial use, even in part of this instructions manual require the written permission of WilTec Wildanger Technik GmbH.